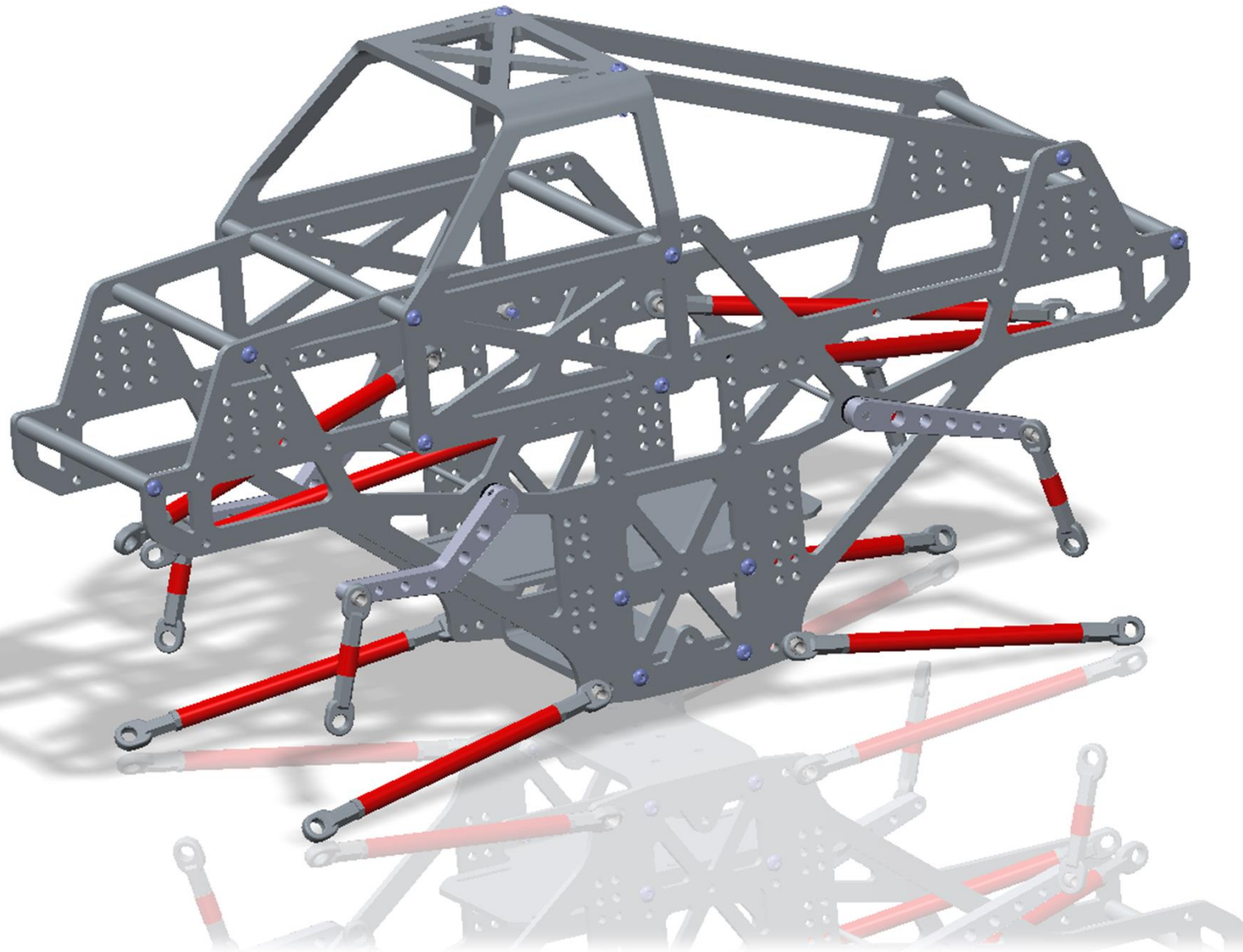


KK2 Chassis Assembly Instructions

KK2



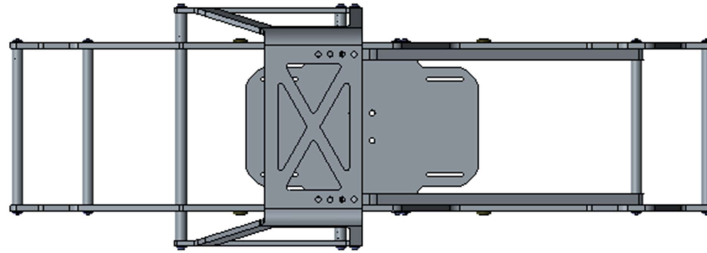
KK2 Chassis Parts List

PART	AR60 Kit	Clod Kit	FreestyleRC Kit
Chassis Plate	2	2	2
Electronic Tray	1	1	1
Transmission Tray	1	1	1
Cage	1	1	1
Cage Supports	2	2	2
85mm Crossmember	5	5	5
72mm Crossmember	1	1	1
Cab Spacer (11/16")	8	8	8
Spacer (1/4")	4	4	-
Spacer (5/16")	-	4	-
AR60 Shock Mount	4	-	-
Clod Dual Shock Mount	-	4	-
M3 x 30 Rounded Head Screw	8	8	8
M3 x 25 Rounded Head Screw	-	8	-
M3 x 20 Rounded Head Screw	8	-	-
M3 x 16 Rounded Head Screw	14	14	10
M3 x 12 Rounded Head Screw	16	16	16
M3 Nylon Locknut	36	36	18
4-Link Kit	1	1	1
FreestyleRC Swaybar kit	1	1	1
Swaybar connector rods	4	4	4
Swaybar bushings	4	4	4

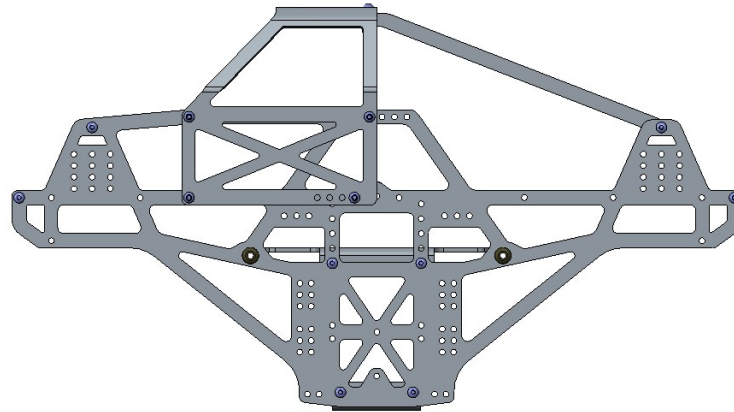
KK2 Chassis Assembly Instructions



Top View



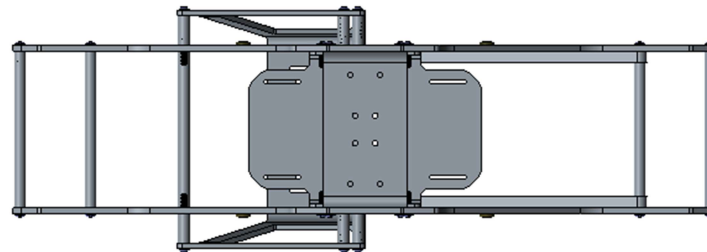
Front View



Side View

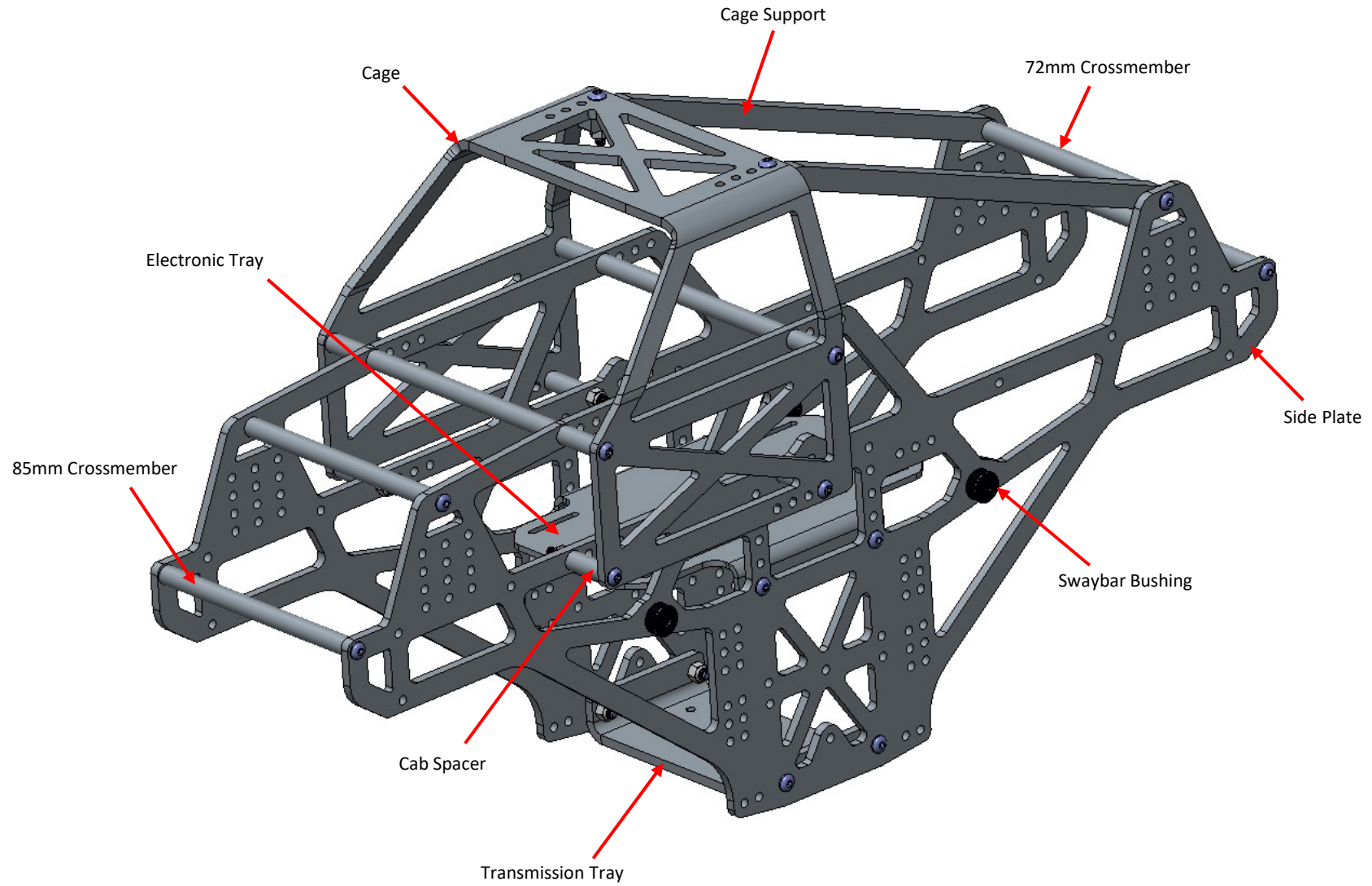


Rear View

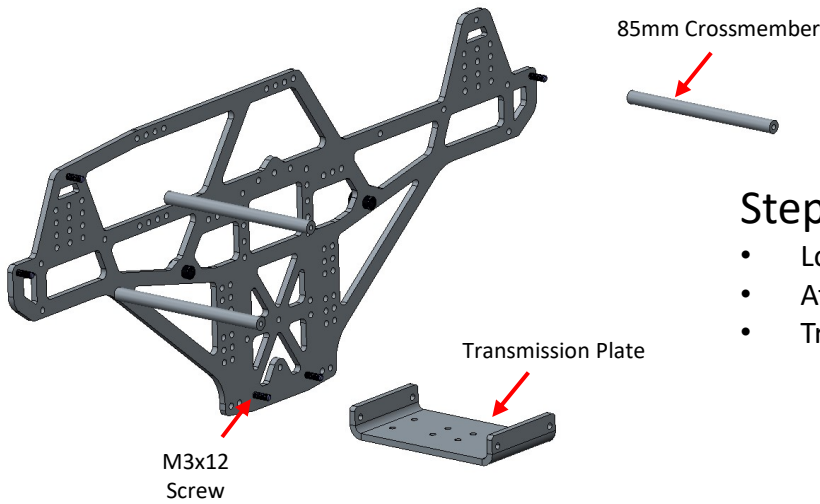


Bottom View

KK2 Chassis Assembly Instructions



KK2 Chassis Assembly Instructions

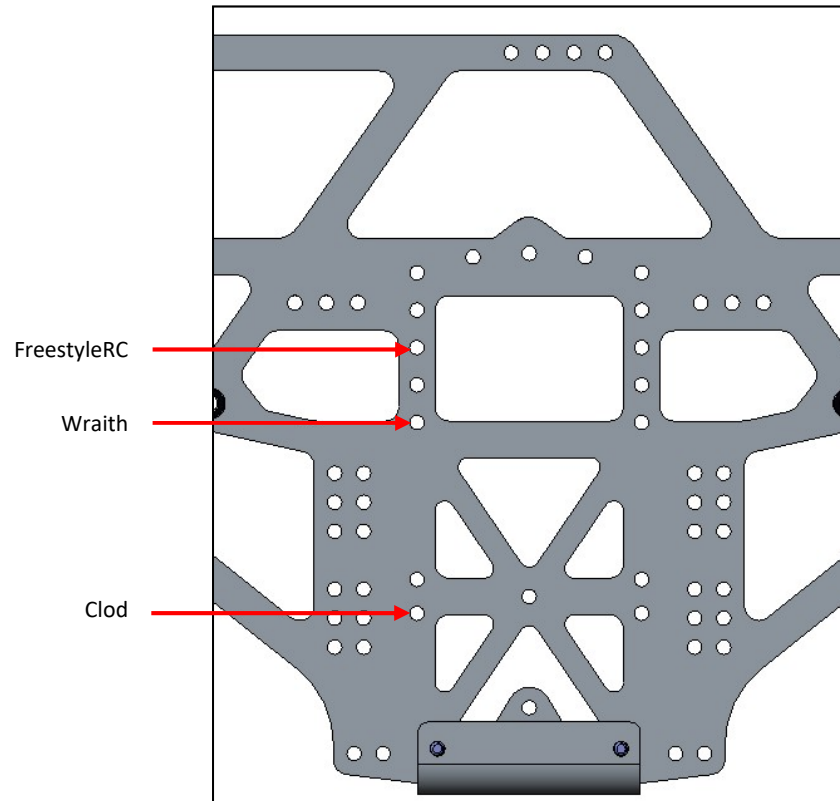
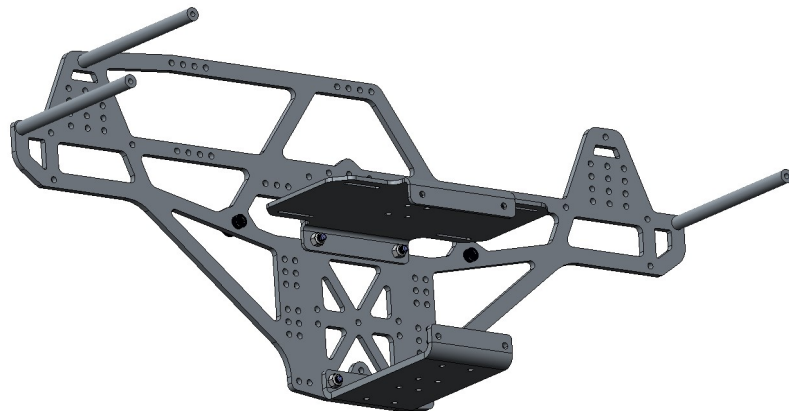


Step 1: Crossmember & Transmission Tray Installation

- Loosely attach three crossmembers to one side using M3 screws.
- Attach transmission tray to one side using M3 screws and locknuts.
- Transmission tray is symmetric. Left/right orientation is the same.

Step 2: Electronic Tray Installation

- Attach electronic tray with M3 screws and locknuts.
- Place tray in the location that suits your setup.
- Electronic tray has symmetric hole pattern. Left/right orientation is the same.

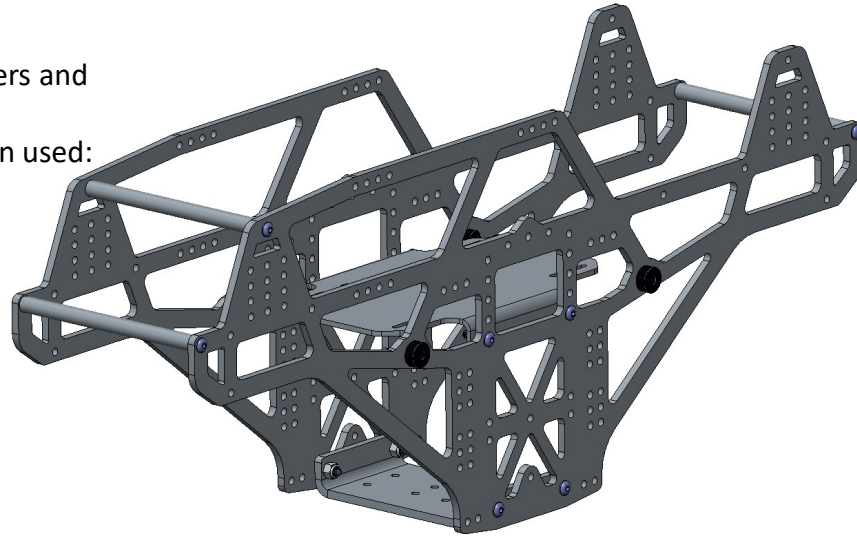


KK2 Chassis Assembly Instructions

KK2

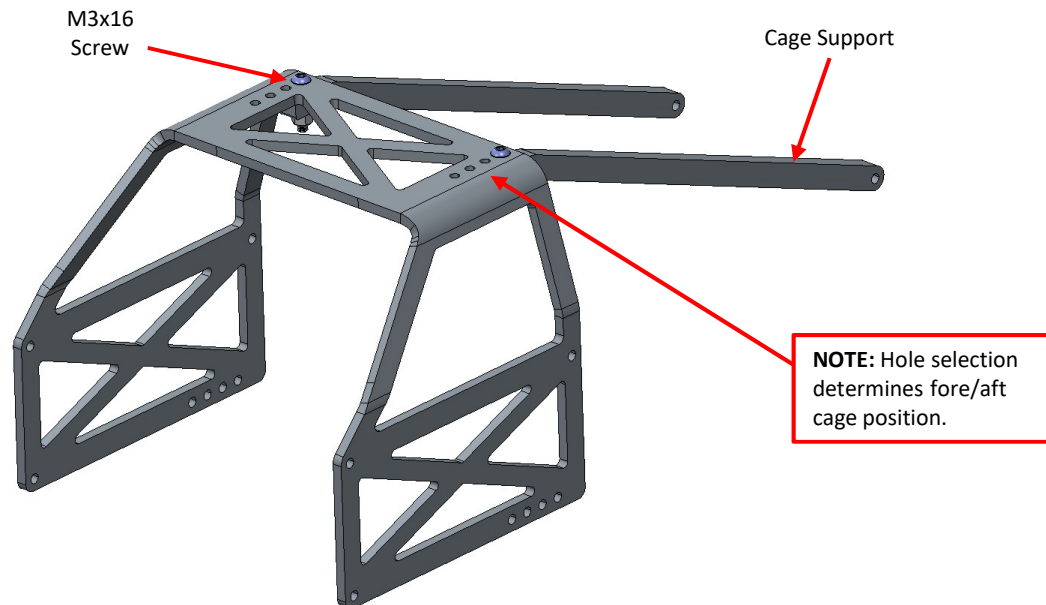
Step 3: Second Side Plate Installation

- Attach other side plate with M3 screws for crossmembers and M3 screws and nuts for trays.
- By this step the following quantity of hardware has been used:
 - M3 x 12 screw Qty 14
 - M3 locknut Qty 8



Step 4: Cab Subassembly

- Attach cage supports to the cage.
- Use M3 x 16 screws and locknut

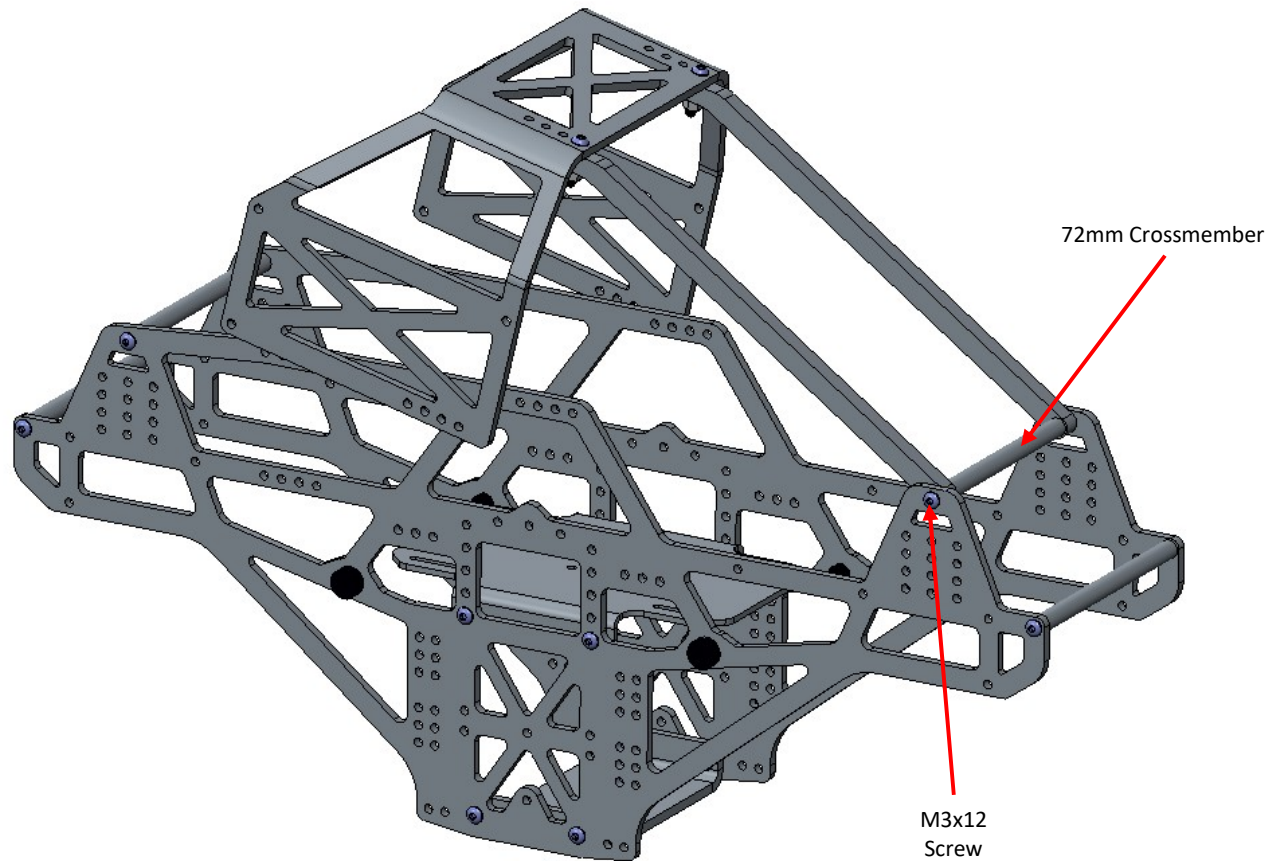


KK2 Chassis Assembly Instructions

KK2

Step 5: Cab Installation

- Attach the cage sub assembly from step 4 to the main chassis.
- Place the 72mm crossmember between the cage supports and slip between the side plates.
- Use two M3 screws to fasten.
- Tighten enough to provide a snug fit to keep the cage from swinging around.



KK2 Chassis Assembly Instructions

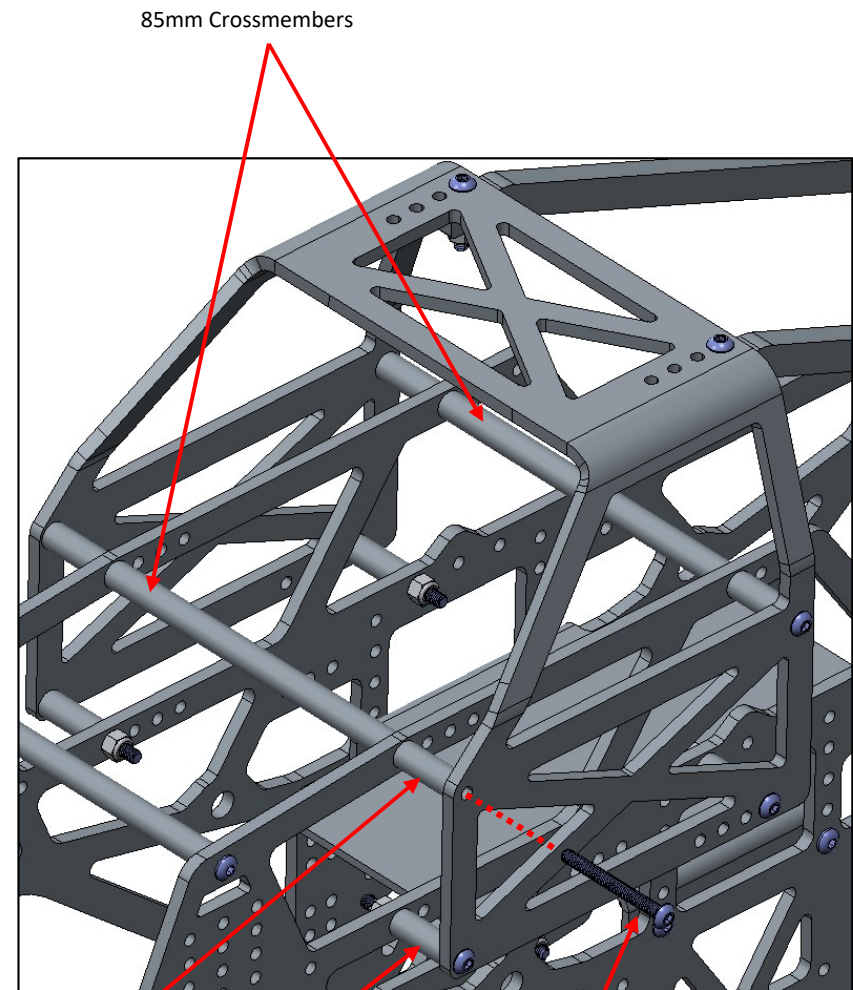
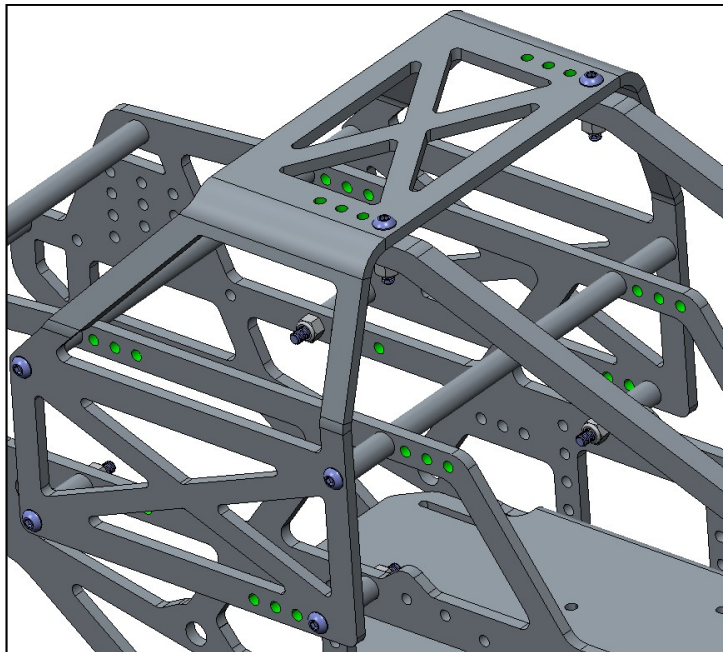
KK2

Step 6: Cab Installation

- Slide cage into position.
- Slide crossmembers into upper connection positions.
- Slide four cab spacers into upper positions. Fasten screws through cab and spacers into crossmembers. Perform one spacer installation at a time.
- Slide four cab spaces into the lower positions and fasten with screws and locknuts. Perform one spacer installation at a time.

Note: Cab Adjustment

Cab can be adjusted fore/aft for body fitment. Each hole highlighted green provides 6.5mm of adjustment.



Upper Cab Spacer

Lower Cab Spacer

M3x30
Screw

KK2 Chassis Assembly Instructions



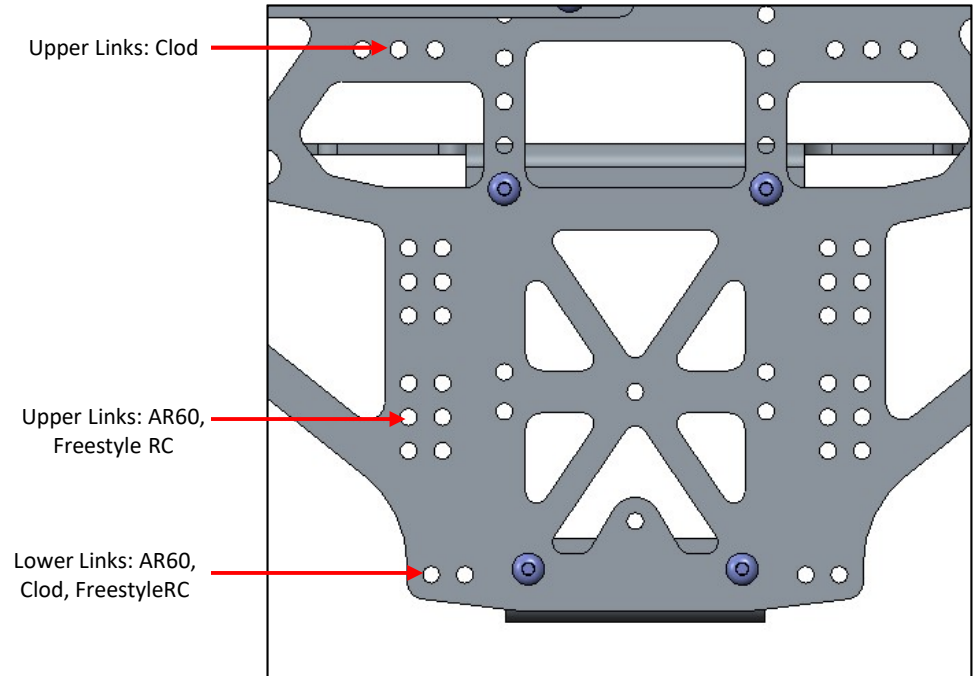
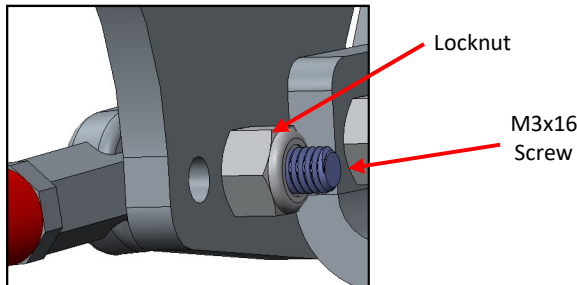
Step 7: 4-Link Installation

- Below are the link lengths for each setup. Verify link lengths before proceeding.

Link	AR60 Axles	Clod Axles	FreestyleRC Axles
Upper	4.8"	5.3"	5.3"
Lower	4.5"	4.5"	5.3"
Rod End	SSD	SSD	Revo

Step 8: 4-Link Installation

- Identify connection points on the chassis.
- Mount upper links to the inside of the chassis.
- Lower Links may be mounted to the inside or outside of the chassis per personal preference.
- All link to chassis connections use the following hardware.



Step 9: Axle Shock Mount Setup

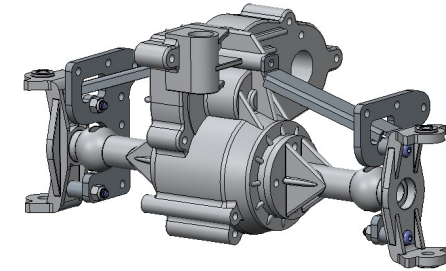
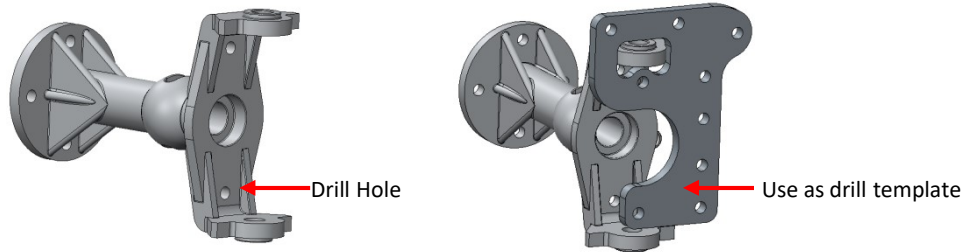
- The Clodbuster and AR60 chassis kit come with a dual shock kit.
- The FreestyleRC kit does not require a dual shock kit.
- The following two pages contain steps for dual shock kit installation.

Clod Dual Shock Mount Instructions

KKZ

Step 9.1:

- Drill 1/8" hole in plastic axle tube. The shock bracket can be used as a template to mark the lower hole.

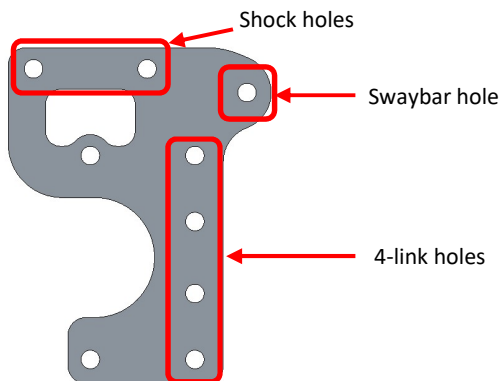
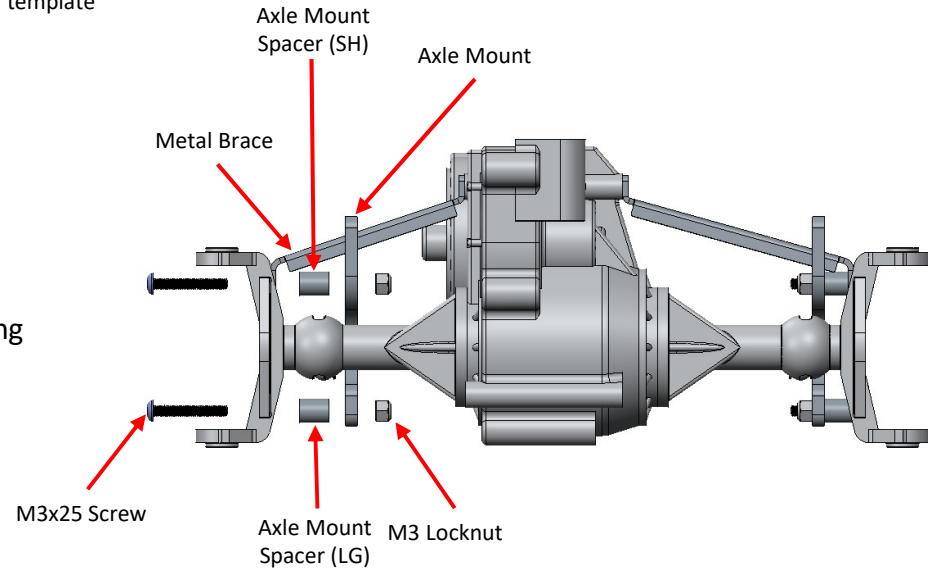


Step 9.2:

- Slide axle metal brace through shock bracket and screw metal brace to the main body of the axle case.

Step 9.3:

- Install short spacer on top by installing M3 screw and tightening with the provided locknut.
- Repeat for bottom hole using the long spacer.
- Complete all installations.



AR60 Dual Shock Mount Instructions

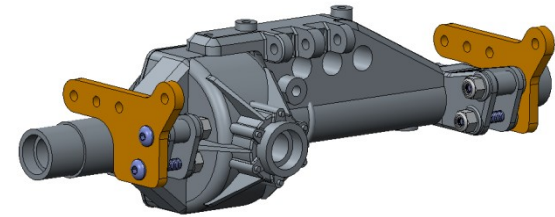
KKZ

Step 9.4:

- Install one dual shock bracket at a time. Place bracket on outside of axle link mount.

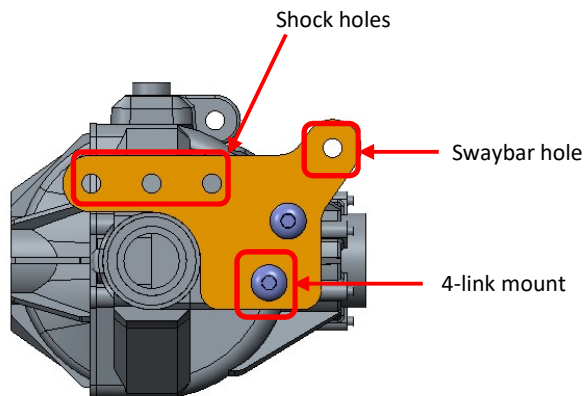
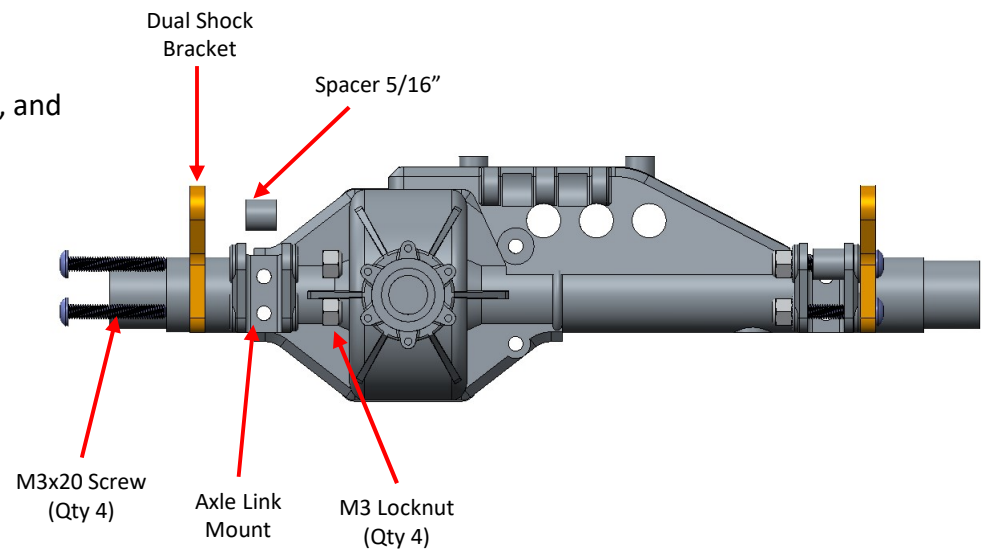
Step 9.5:

- Insert screw through top bracket hole and through the axle link mount. While sliding through, insert the 5/16" spacer and fasten using a locknut.



Step 9.6:

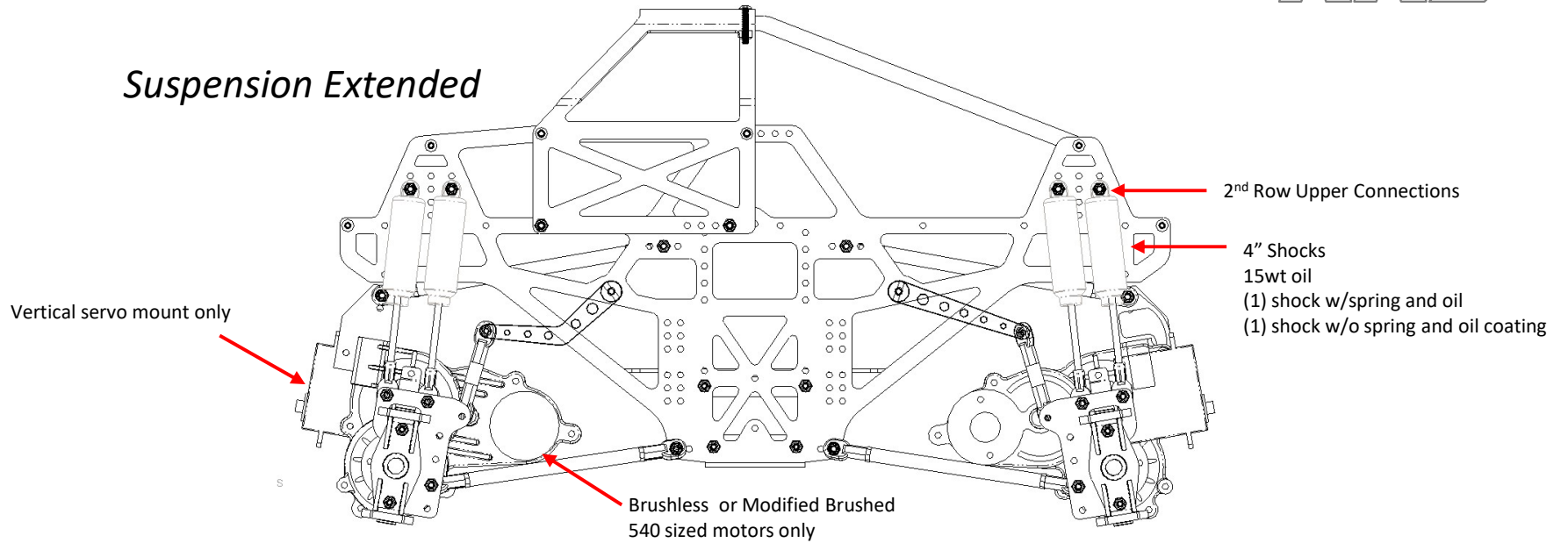
- Insert bottom 4-link bar in lower location.
- Slide screw through the bottom bracket hole, 4-link rod end, and axle link mount.
- Fasten using a locknut.
- Repeat for other side.



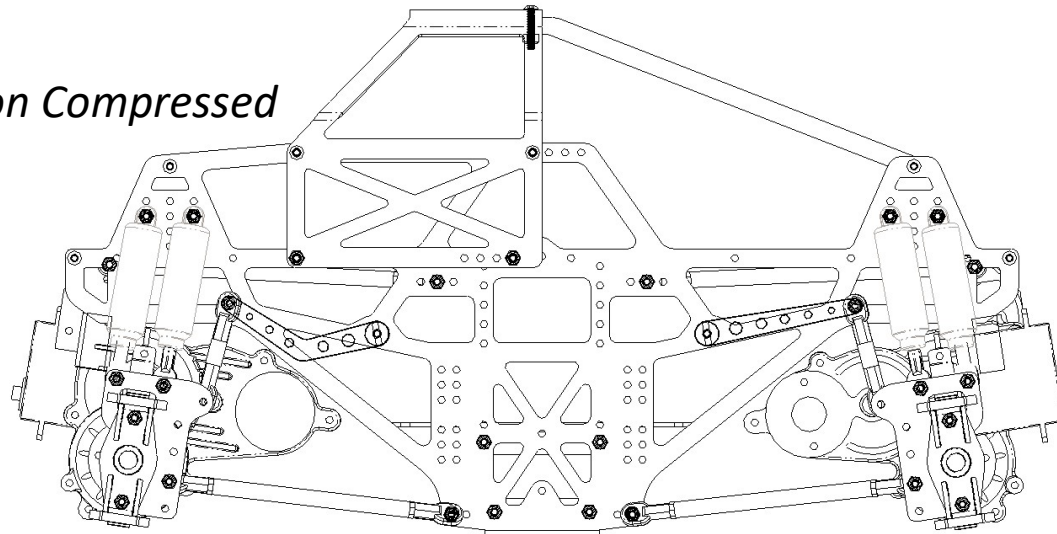
KK2 Clod Setup



Suspension Extended



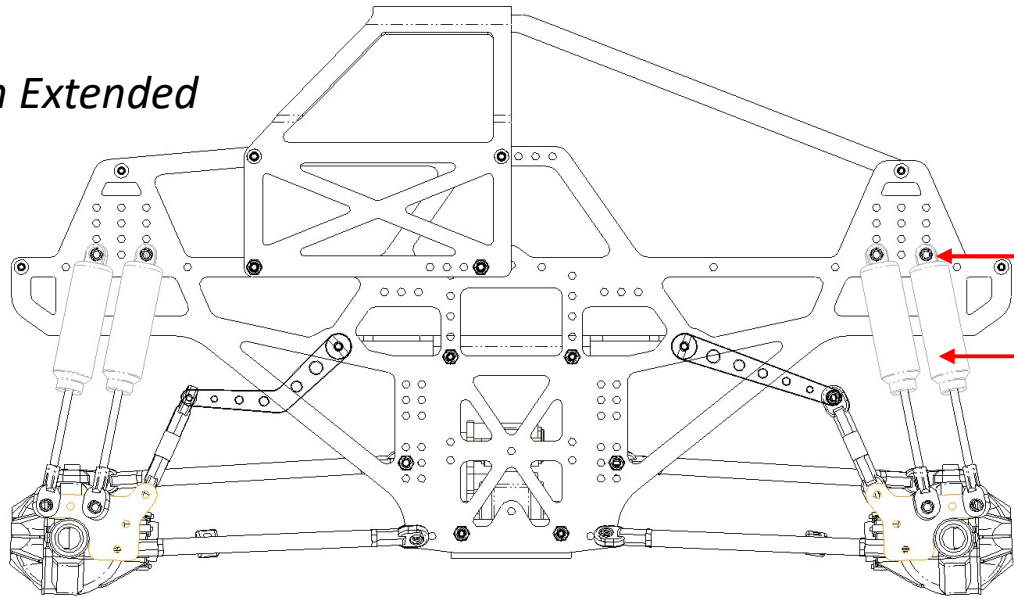
Suspension Compressed



KK2 AR60 Setup



Suspension Extended



4th Row Upper Connections

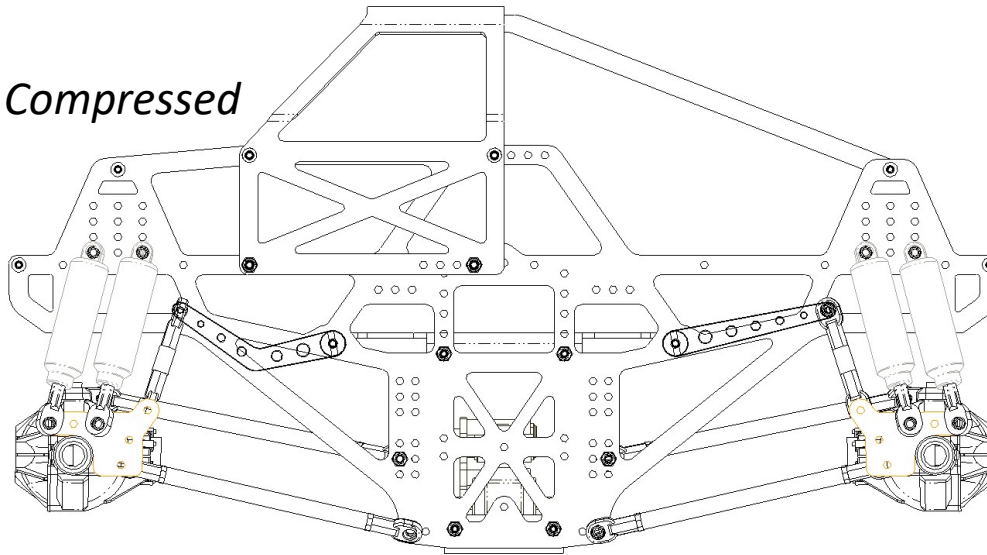
4" Shocks

15wt oil

(1) shock w/spring and oil

(1) shock w/o spring and oil coating

Suspension Compressed



KK2 FreestyleRC Setup

