

KK-1 Chassis Assembly Instructions

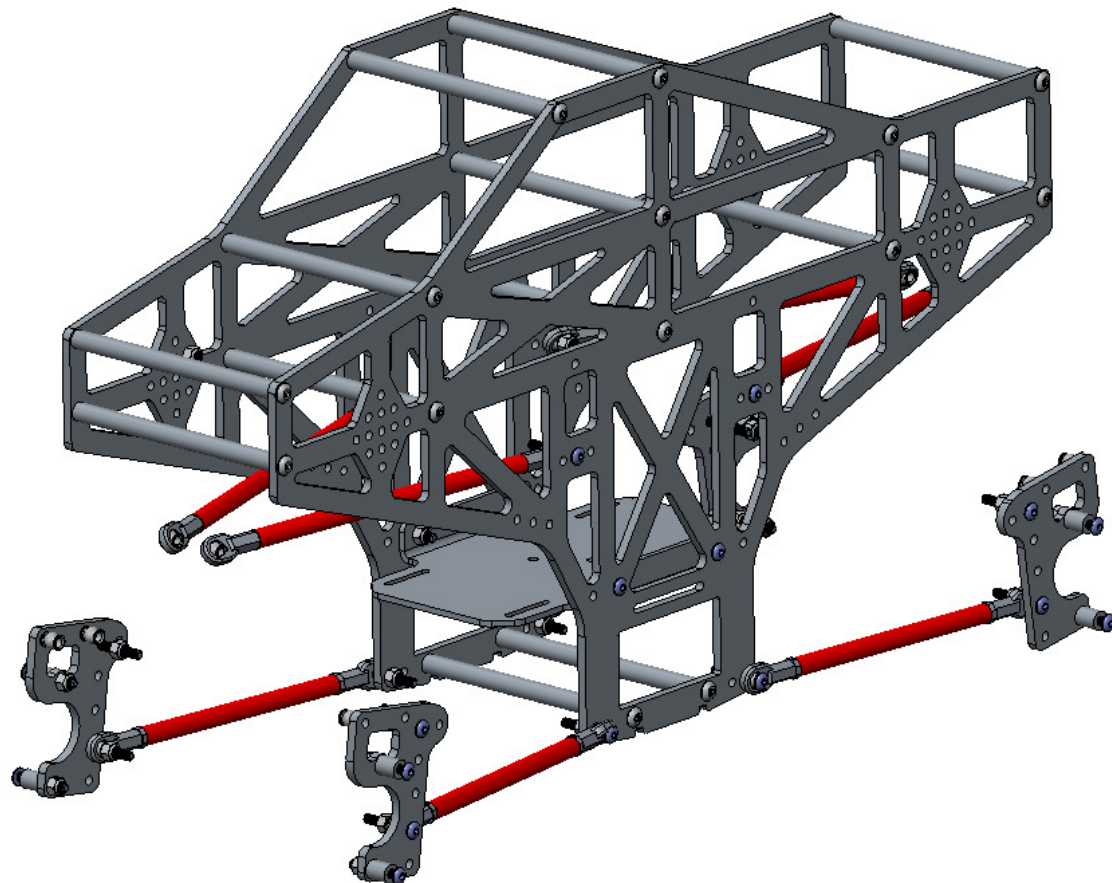
Parts List:

- Chassis Plates Qty – 2
- Electronic Plate Qty – 1
- Crossmembers Qty – 14
- M3X12 Screw Qty – 32
- M3x16 Screw Qty – 12
- M3X20 Screw Qty – 8
- M3 Locknut Qty – 24
- Upper Links (LG) Qty – 4
- Lower Links (SH) Qty – 4
- Axle Mounts Qty – 4
- Axle Mount Spacer (LG) Qty – 4
- Axle Mount Spacer (SH) Qty – 4

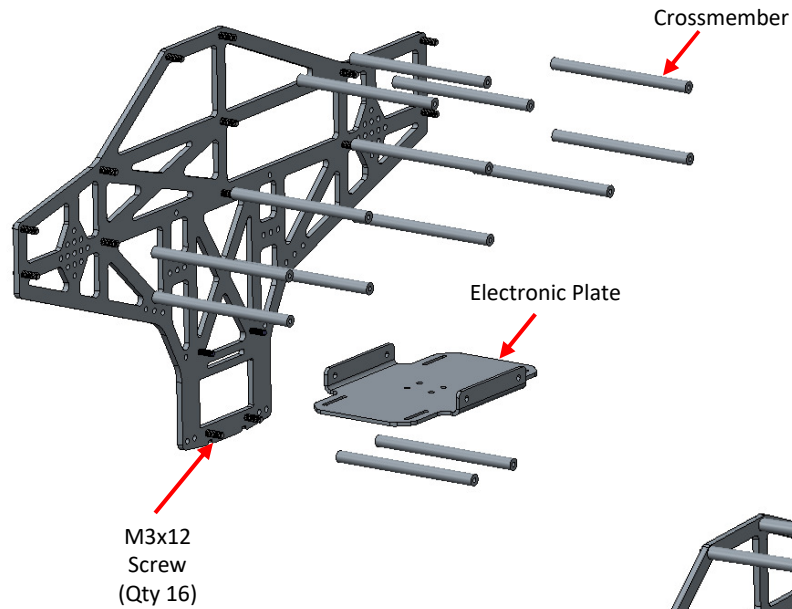
**Parts required for complete build:

- Clodbuster axles
- Upper link axle mounts
- Motors and ESC(s)
- Servo(s), servo mount(s), steering
- Radio system
- Batteries
- Clodbuster tires and wheels
- Shocks

KK-1

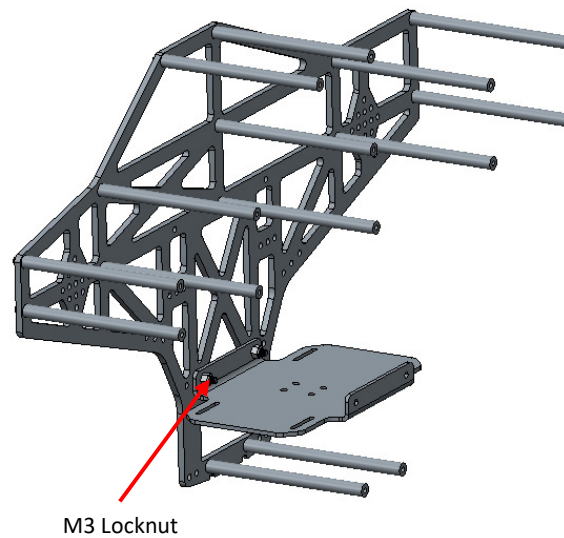


KK-1 Chassis Assembly Instructions



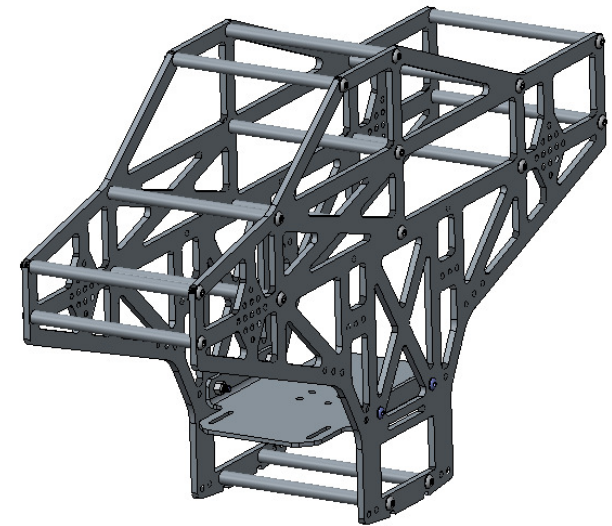
Step 1:

- Loosely attach crossmembers to one side using M3 screws
- Loosely attach electronic plate to one side using M3 screws and locknut.



Step 2:

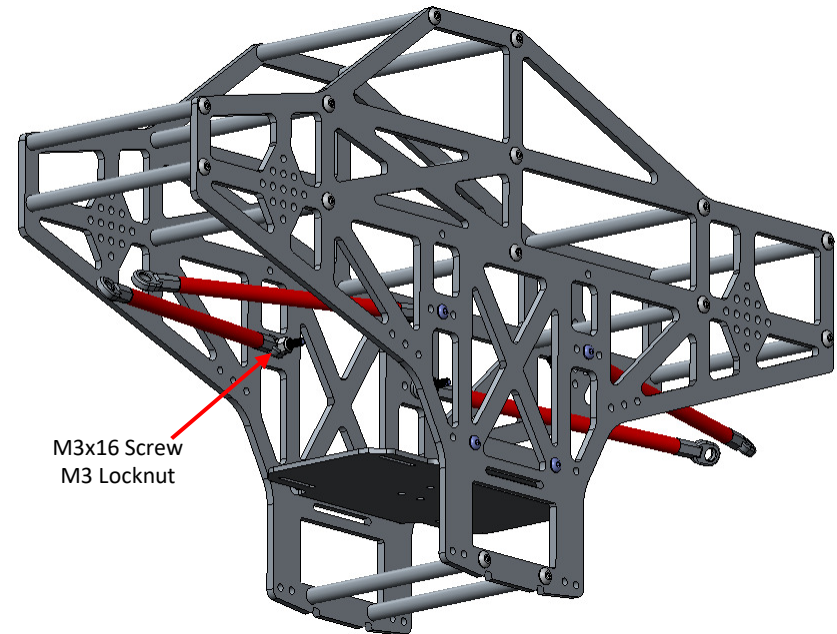
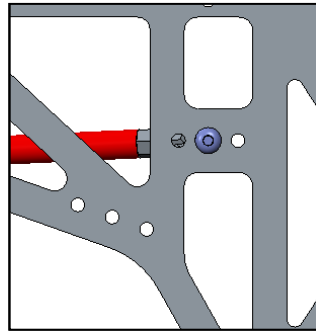
- Loosely attach other side plate with M3 screws
- Once all hardware is installed, fasten tightly



KK-1 Chassis Assembly Instructions

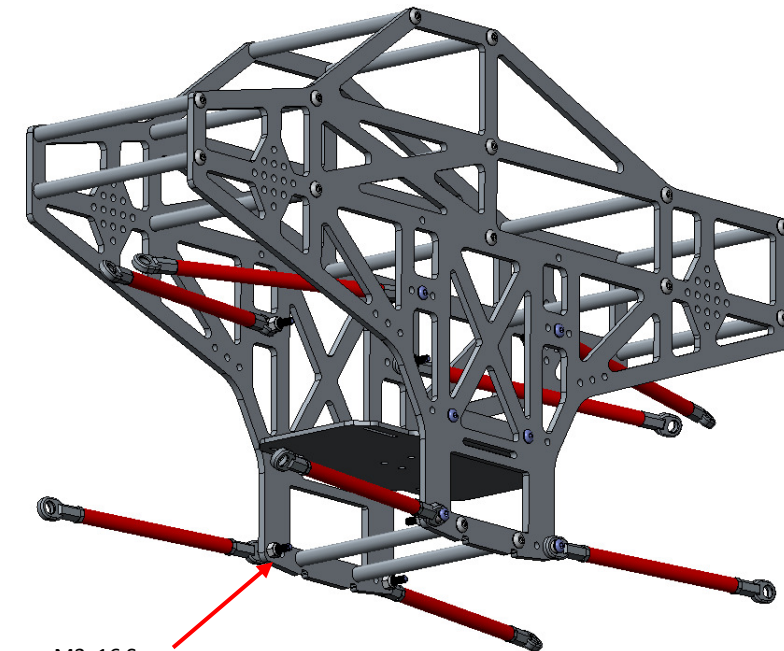
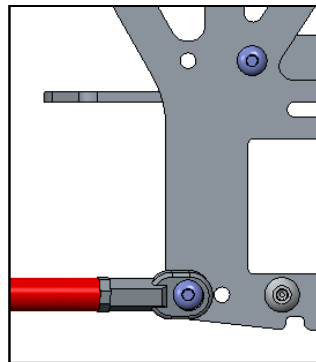
Step 3:

- Attach upper links (LG) to the chassis
- The mounting is adjustable, start with the center holes
- Use M3 hardware



Step 4:

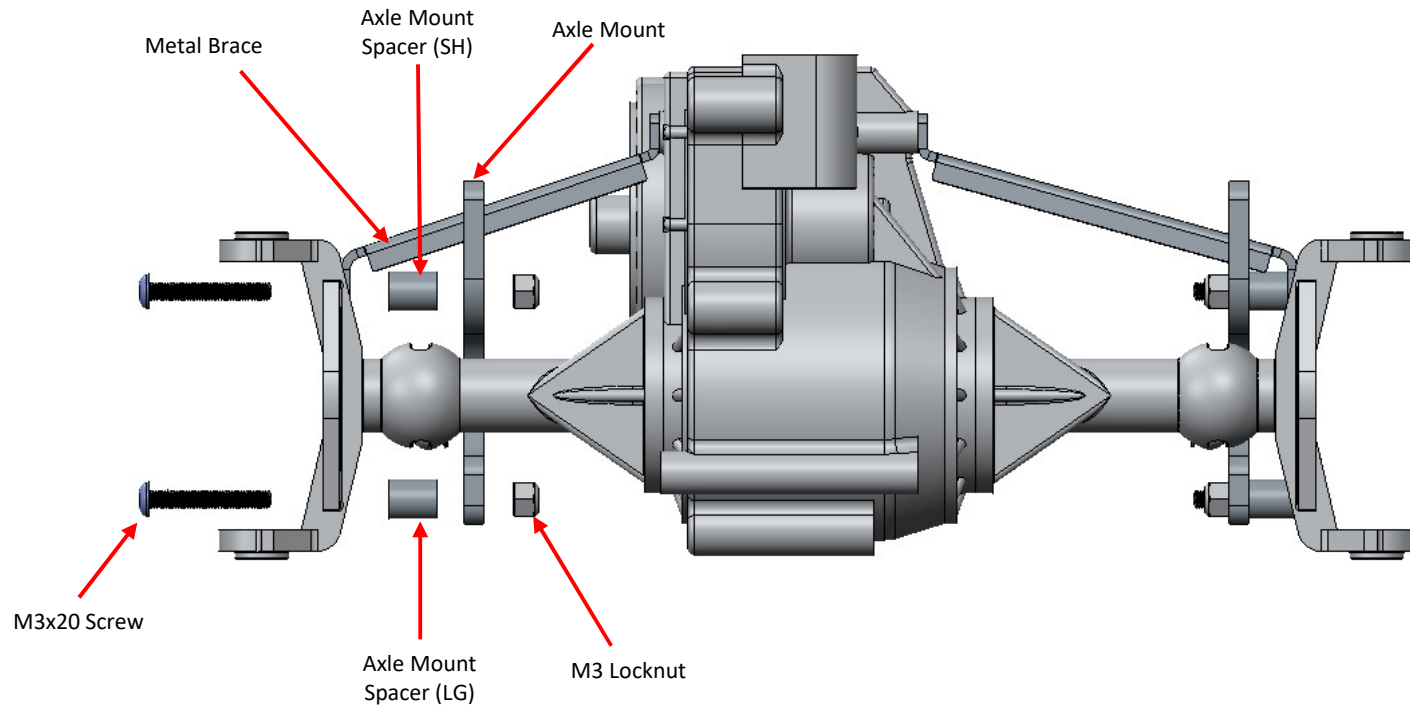
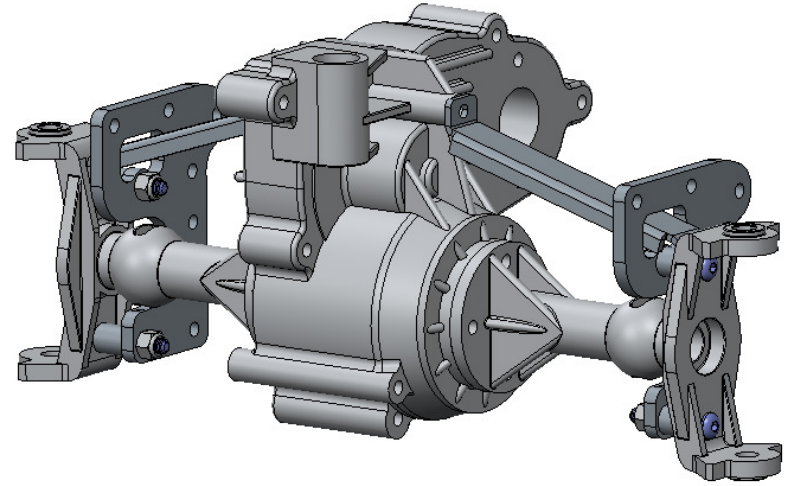
- Attach lower links (SH) to the chassis
- The mounting is adjustable, start with the outer holes
- Use M3 hardware



KK-1 Chassis Assembly Instructions

Step 5:

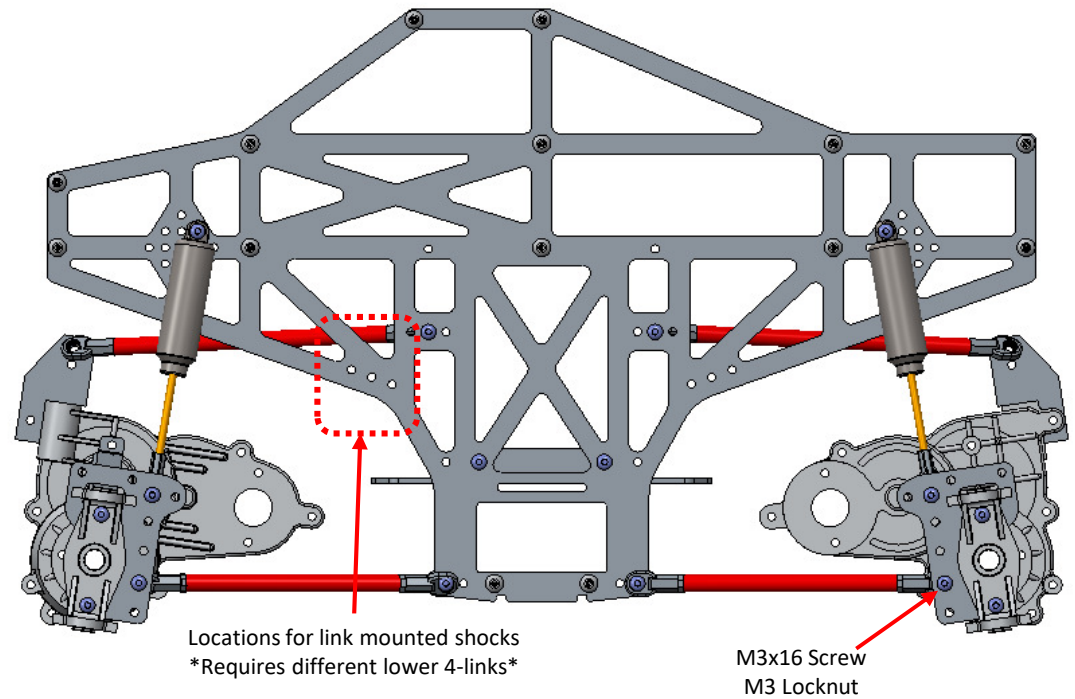
- Attach axle mounts to the axle tubes
- Use M3 hardware
- Long spacer goes on bottom
- Short spacer goes on top
- Stock metal axle brace installs between axle tube and short spacer
- Stock metal axle brace installs through the shock mount



KK-1 Chassis Assembly Instructions

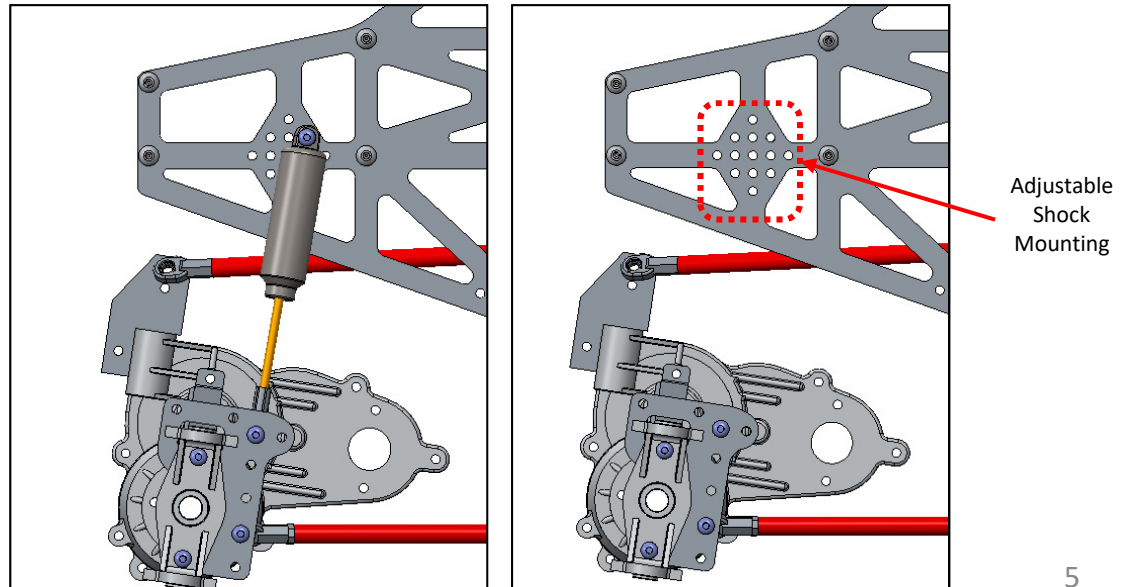
Step 6:

- Attach upper links to the upper axle mounts
- Attach lower links to the axle mounts
- Axle mounts have adjustable link mounting locations
- Start with the second from the bottom mounting
- Use M3 hardware



Step 7:

- Attach shocks to the axle mounts
- Attach shocks to the chassis
- Adjustable chassis shock mount locations
- Mount upper location to your preference



KK-1 Chassis Assembly Instructions

Step 6:

Two options for mounting body:

1. Chassis has side holes for body posts
2. Chassis may be equipped with Velcro wrapped around crossmembers

